

# AMIGAZZETTE

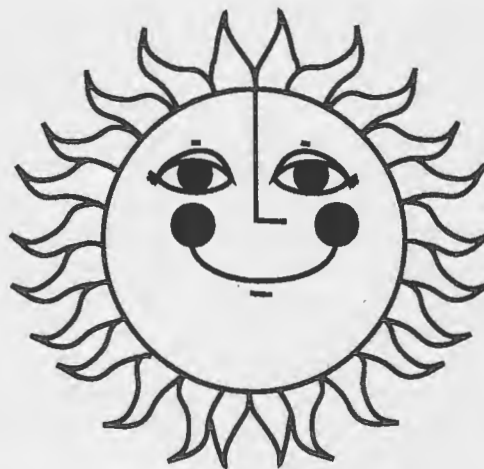
Volume 5 Issue 8

August 1990

## July Meeting

The July meeting will be on Wednesday, July 25. The Sacramento Amiga Computer Club meets at the Pac Bell building at 2700 Watt Avenue. The meeting starts at 7:00 p.m. Matt Monsoor, president, presiding.

This month's meeting will feature demonstrations by members of our club. Among the featured programs will be the latest "Star Trek" program from Germany demonstrated by Greg Bahlhorn. Rober Du Gaue will pit his card playing skill against the computer in "Solitaire" as well as show his word knowledge in challenging "Scrabble".



### Contents

Bits and Bytes .....	2
Amiga Amigos .....	2
AmiExpo .....	3
Boo of the Month .....	4
Peck Obituary .....	5
Cartoon .....	6
Calendar .....	7
BBS Numbers .....	8
Sig Information .....	8
Secretary's Report .....	9
"The Chip", A Review .....	10
Editor's File .....	10
Library News .....	10
SACC Information .....	11



## Bits & Bytes by Matt Monsoor

Well, here I am, writing the entry for the August issue of AmigaZette, "Bits n' Bytes". The President is supposed to inform you of the direction that SACC is headed. You might consider this a "midterm report"!

I joined SACC back in 1986 because I had this Amiga 1000 computer. Now I could do things with this computer; write basic programs, do BBS'ing, print a file or play games, but not much else. So I joined the club to meet other Amiga users and learn, grow, and share the experience of the "leading technology" in home computers. I would attend the General Monthly Meetings for the Raffle and to pick up my Monthly Disks! I never made use of the Library because I could get things by using the modem and calling various BBS's. It wasn't until I became club Librarian that I found out that BBS'ing didn't have things that were available from the Club Library. And now, after becoming President and attending some of the SIG's, I find that I should have been involved with the SIG's from the start.

November is the time that the Board members, Robert Du Gaue and Rudi Cilibrasi, take on the job of chairing the election committee. Remember, every year we elect two Board members and all four officers of the club!

PLEASE start thinking about running for office now; before you know it, it will be November.

Another event that happens near the end of the year is the formation of a committee to look at and maybe revise the ByLaws of SACC. Here is a list of items that I feel should be considered as changes, additions, or deletions to the Club ByLaws.

1) All meetings, Board and General, should be taped and the information from the minutes used and reported in the next issue of AmigaZette; for the benefit of the members who could not attend.

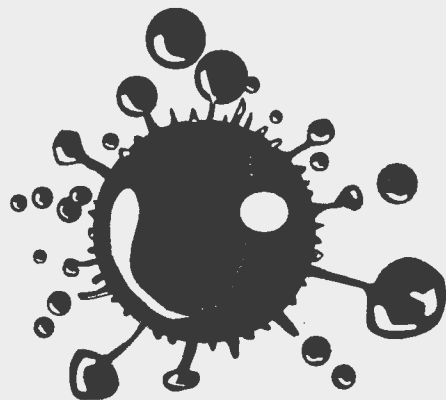
2) The Board shall fill a vacant position at the First Board meeting that falls no less than 30 days from the time of the vacancy announcement to insure that all members have been notified of the vacancy by the Newsletter or a General meeting announcement.

3) Report the winners of the Monthly Raffle in the AmigaZette.

And before I talk about my last item, remember that when I joined back in 86 the dues were \$24/year with a \$10 initiation fee.

4) Restructure the membership dues into two separate structures to offset the increase in the cost of mailing and printing the newsletter by adding a BBS access fee rather than increasing dues across the board.

We want to hear from you! Attend the Board meetings, write to the Amigazette editor. You can't Rely on "Someone Else" to voice your opinion!



Se habla Amiga? Help others to learn your favorite program or assist in your area of expertise. Remember, you were new once, too. If you'd like to add your name to our list, sign up at a general meeting or contact me at 632-1018.

AMIGO	PHONE	HOURS	HELP AREA
Walter Ayres	487-3202	Noon-10 p.m.	BASIC
Greg Pringle	452-7321	5:30-10 p.m.	Hardware
John Warren	662-8754	9 a.m.-3 p.m.	Games/Carpool
Jack Cannon	722-7404	reason. hrs.	Dr. T's/Music
Dave Bloch	441-6816	eves/wknds	Video
Lindsey Fong	AmigaLink BBS (modem)		Anything
Brian Cox	488-3964	reason. hrs.	BASIC
Fred Sakai	488-4343	reason. hrs.	Desktop Publ.
Steve Goodrich	361-7566	6:00-10 p.m.	Beginners, Maxiplan Word Perfect, Cli
Woody Bear	723-1710	reason. hrs.	Telecom
John Zacharias	363-9153	eves+wknds	Desktop Publ. Video
Jan Zacharias	363-9153		Video, Graphics
Ken Free	292-3151	before 10 p.m.	CLI, Utilities, General

# AmiExpo Revisited by Dennis Hayes

Well I finally made it to an AmiExpo. Last year the earthquake kept me away from the Santa Clara show. This March personal reasons kept me from attending this trade show in Washington, D. C. I finally made it to the latest one. This AmiExpo was held at the Hyatt Regency in Chicago on June 29, 30, and July 1.

The first thing that hit me about the show was the no-shows. Some big names in the Amiga market did not attend. Accolade. Electronic Arts (But they never do shows!). G.V.P. Gold Disk. Dr. T. Word Perfect. And of course Commodore. Too many to name.

There are basically four categories of those that did appear. Publishers or developers. Magazines. User groups. Retailers.

Applied Engineering showed off their new high-density floppy drive. (I've purchased one and as soon as it arrives I'll give you all a report.) Also selling a new internal modem with a "send FAX" ability.

BlackBelt Systems finally introduced their HAM-E box. The output looks like HAM with more colors. The pictures looked chunky and dull. The GUI is non-existent. Conversions are done with a CLI. This one baffles me. I'd hold off buying this one for a while.

Digital Creations had one of the two most spectacular things to see at the get-together. They were running a full color and full motion animation with sound off of a hard disk in real time through their

soon to be released DCTV. Many people thought they were watching a video tape before they read the sign. The hard disk was furnished by IVS with the Trumpcard Professional controller - about the fastest in the industry. DC was also demonstrating DCTV running TurboSilver anims, a DCTV slide show, and live DCTV digitizing. People that saw DCTV were impressed with the full color display and resolution that allows the Amiga to digitize and display what looks like television. Digital Creations was using their new and impressive 20' X 20' booth. (Author's note: The comments on this company and BlackBelt were taken from Amiga users attending AmiExpo.)

IVS was showing their own anim - from Gulliver's Travels - in HAM with sound using the Trumpcard Professional.

M.A.S.T. made it out from their Sparks, Nevada offices to demonstrate and sell their line of Amiga products.

Michtron was there pushing their line of games and other software.

Microways was on hand to demo and sell their DEB board. The DEB board allows you to use their Flicker Fixer in a A2000 without using the video slot. This leaves the slot free for other video devices.

New Horizons' newest release, ProWrite 2.0 was being shown.

NewTek had two large booths and was showing the Video Toaster. I must confess even though I'm not quit sure about all that it does, it does seem to do some nice effects for music videos. It is not shipping as of the writing of this article. Like

Digital Creations there were always Amigaphiles standing around the NewTek booths.

People Link had a booth but I didn't see anybody that I knew there.

SoftLogic was there showing off PageStream 2.0. Looks good.

Spirit Technologies had a booth where they were selling all of the assorted boards and devices that they manufacture.

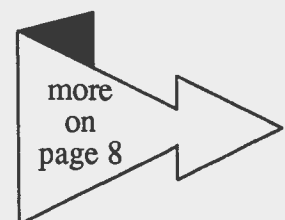
Supra made the showing also. Supra had on display their full line of expansion products. They had one of the four nicest booths along with Amiga World, Applied Engineering, and Digital Creations.

I was impressed with number of user groups that had booths. They were show PD software and soliciting member from out of their areas. One was from the New York area.

Several Local Dealers were in attendance as well as two of the biggies in mail-order. Comp-U-Save and a quieted down Dr. Oxide were on hand. The largest retailing setup was from Southern California - Creative Computers.

While the show was going on there were classes being held. According to the AmiExpo folks these were well attended. Over all attendance was good but not what most exhibitors would call great.

The Future of Amiga Shows





## **BOO of the Month !**

Being unfamiliar with the Amiga BBS community, it was with fear and trepidation that I logged on the Amigalink BBS to download a file that I needed for the Amigazette. My fears were eased as I wandered around until I found my file.

Then.....is where the fun began. I noticed after download my file that after the file name was a dot and three letters zip like this: Zett.zip I presumed that this was some sort of crunching program and looked around the board for a program to unZIP my file.

AHA.....I found a program. It was called Pakzip. I downloaded Pakzip. Then I noticed a dot and three different letters after the name. These letters were lzh. After a phone call to a more experienced bbs user I was told that this was Lharced. I needed a program that would unLHARC my pakZIP program.

EUREKA.....I found a program. It was called Lharc. I downloaded Lharc. Then I

noticed a dot and three different letters after the name. Is this beginning to sound repetitious? The letters were zoo. I presumed that this was another cruncher and I needed a program to unZOO my previous program. Am I beginning to sound experienced now?

ZOWIE.....I found a program. It was called ZOO201. I started to download ZOO201 when the BBS gave me a message that I was out of time for today and would have to wait until tomorrow to download ZOO201. Well, I guess there is no choice so I waited until the next day and downloaded ZOO201 with my refreshed time allotment. Then I noticed a dot and three letters after the name. Yes, friends they were three different letters. These were arc. All I need now is a program to unARC this program.

OH NO.....I could not find a program that would unARC my program that did not use one of the other letter combinations mentioned above which needed another program to run them. What am I going to do.....BOO HOO.....!!!! Am I doomed to be forever stuck in compiler land full of zoos, arcs, zips, and lzhs? Is this a cruel joke on BBS beginners?

UGH.....Could it be that there is NO executable program available that would undo any of these program? Is this the real catch 22 situation.....You can't use these programs unless you already have these programs!!!! I decided to try Woody Bear's BBS as a last

resort to see if I could find an executable undo program. After logging on I gave my password which was rejected three times and I was logged off and locked out permanently by the BBS security system. After checking I discovered I had tried to use the password from the Amigalink BBS. I called back several times to no avail so I logged on with an alias and left a message for Woody to please restore me to full BBS health and vigor.

AHHHHH.....The next day I was indeed restored on Woody's BBS and as I looked through his telecommunications utility programs guess what I found.....Sound effects please.....an executable program called simply ARC. I downloaded this program.

I ran it  
I unARced ZOO201 and ran it  
I unZOOed LHARC and ran it  
I unLHARCed PAKZIP and ran it  
I unZIPed ZETT and FINALLY had my file

**AND NOW YOU KNOW THE REST OF THE STORY !!!!!!!!!!!!!**

Do you have a Boo of the Month? If so please leave a message to Richard Carey on the Amigalink BBS if you dare or drop a note in the mail to:

Boo of the Month  
Richard Carey  
5824 Meadowdale Ct.  
Rocklin, Ca. 95677

All entries become the possession of Richard Carey and he may publish them or just laugh at your misfortune.

# AMIGA

## NOW AVAILABLE !!!

The Amiga 500P and The Amiga 3000! If you bring in this ad you will receive an additional 5% off of the purchase of any hardware including all Amigas in stock!

We have received many new titles including:

• Saxon Publisher • Pro Draw 2.0 • The Art Department - 24 Bit Image Processing Software • Gif, Turbo Silver, Sculpt, DP IIe, Targa, Converters for The Art Department • ProWrite III • Amiga Vision • Bird Pics • AMOS •

And for some COOL SUMMER fun how about some of these titles?

• Red Storm Rising • Flood • Imperium • Combo Racer • Neuromancer • Storm Across Europe •  
• Last Ninja II • Dynasty Wars • Fools Errand • Heavy Metal • Wings of Fury • Might & Magic II •  
• Code Name: Ice Man • Conquest of Camelot • Xenomorph • Sir Fred • and Turrigan •

## COMPUTERTIME

8040-D GREENBACK LANE, THREE BLOCKS EAST OF SUNRISE  
(916) 969-4111 723-4000



### Rob Peck Passes Away

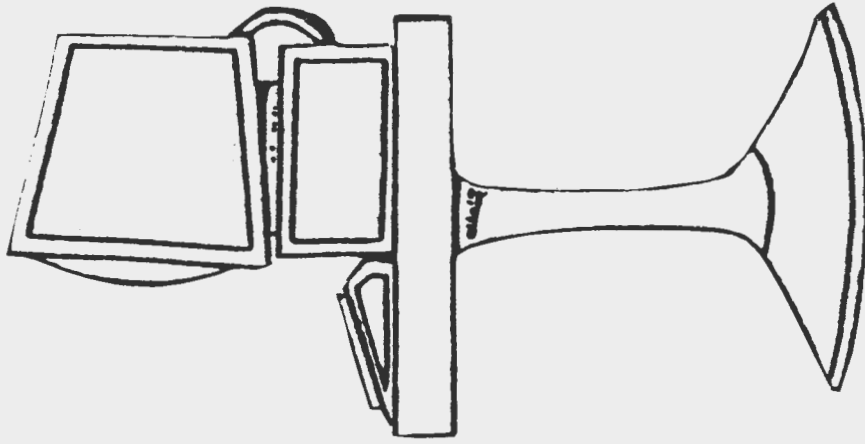
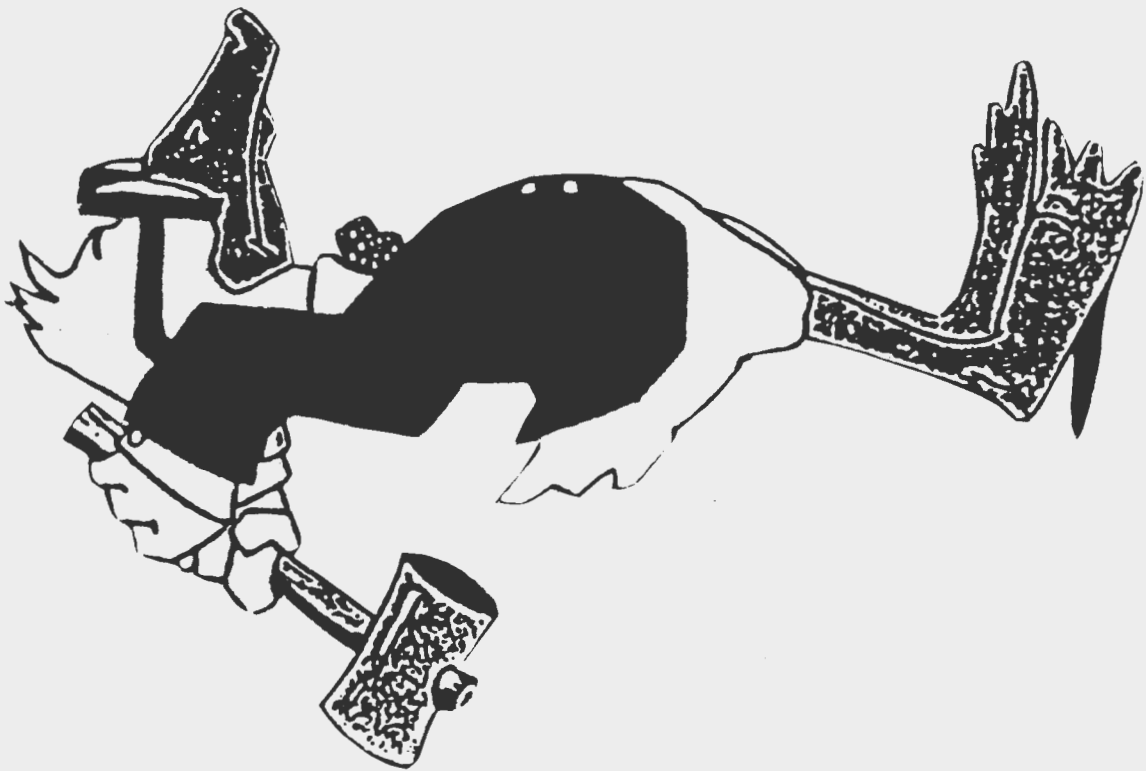
Rob Peck, one of the original Amiga pioneers at Los Gatos passed away last week of cancer. Rob was the author of the ROM kernal manuals as well as his "Programmers Guide to the Amiga (Sybex). More recently he published possibly the best Amigados guide ever written, "The Amiga Companion" (IGDC/Peterborough).

He was a caring and considerate man of great intellect and will be missed by all who knew him as well as those of us who benefit from his work.

Should you wish to send an expression of sympathy to Rob's widow, the address listed in "The Amiga Companion" is :

Mrs. Andrea Peck  
c/o Datapath  
P.O. Box 1828  
Los Gatos, Ca. 956031-1828





**"HIT ANY KEY TO CONTINUE"**

# AUGUST

SUN	MON	TUE	WED	THU	FRI	SAT
			1 BOARD MEETING	2	3	4
5 NEWSLETTER DEADLINE	6	7	8 VIDEO SIG 7 PM	9	10	11 LIBRARY OUTING AT CANDY
12	13	14	15	16	17	18
19	20	21	22 GENERAL MEETING 7 p.m.	23	24	25
26	27	28	29	30	31	

AmiExpo  
Continued  
from page 3

The future of the Amiga shows in general looks cloudy. While the machine is still doing well it is splitting down the middle. Games and Video. Only one word processor and one Desktop Publishing program was shown. No real paint, graphic, or video packages other than the ones from NewTek or Digital Creations were shown. Lots of hardware. But man cannot live by bread board alone. This show ran three days. Two would have been sufficient. Since the Amiga does not have the business market that the IBM does, being open on Friday makes little sense. Most Amiga users are hobbyists and have to work during the week.

I can understand why lots of the little guys don't show at these. The costs are getting prohibitive. Start adding up the costs. Basic booth fees. Union fees for laborers to move, un-pack, set up, plug in, unplug, pack, take down, move, etc. are outrageous. Add to that the cost of staying and eating in these hotels. Shipping expenses. Transportation. Salaries. Lost development time. Now multiply that times the number of show a year - six in the US alone.

And to top that off there are two different companies putting these on. Combine that with fact that attendance isn't as strong as it should be. Maybe the ticket prices or \$3.00 hot dogs are a little high. And in October this year two shows are scheduled for the same weekend. Companies can't go to all of them. The number of exhibitor per show drops. Attendance drops.

The Problem: Too few products are being shown by too few companies to too few customers too many times at too many dollars to both customers and exhibitors.

The Solution: Only have Commodore sponsored events near big population areas where hotel and union costs are more affordable.

I'm not sure the consumer or the manufactures are willing to support two different shows any more. As the Amiga computer matures fewer and fewer new and exciting products are hitting the Amiga shelves. People just won't attend like they have in the past unless there is real value in the show.



### **BBS Numbers**

**AMIGALink, SACC Official**  
Bulletin Board  
(916)447-3842 or (916)447-3843 or  
(916)991-8553  
Sysop: Lindsey Fong

**AMIGALINK II, Genisis**  
(916)387-1328  
Sysop: Dan Kelly

Other Local Bulletin Boards:  
**AMIGA Express**  
(916)635-5749 6PM - 11PM ONLY

**Another BBS**  
(916)725-2639 1200/2400 24Hrs.  
Sysop: Andy Wood

**The Computer Chapel**  
(916)641-2400 1200/2400 24Hrs.  
Sysop: Pete Howard

**Bear's Byte**  
(916)722-7423 300/1200 24 Hrs.  
Sysop: Woodie Bear

**Nebula-2**  
(916)351-6482 1200/2400  
5PM - 8PM Weekdays 24Hrs. WeekendsOnly  
Sysop: Bob Pauwee

**The Out of**  
(916)369-7560 300/1200 24Hrs.  
Sysop: Shetani

### **SPECIAL INTEREST GROUPS**

Do you need help?  
Do you want to learn?

Present your questions at these meetings.

#### **DESKTOP PUBLISHING**

Leader: Fred Sakai  
Phone: 488-4343

#### **GRAPHICS SIG**

Leader: Pete Howard  
Phone: 920-4289  
Call for Date and Time

#### **HARDWARE SIG**

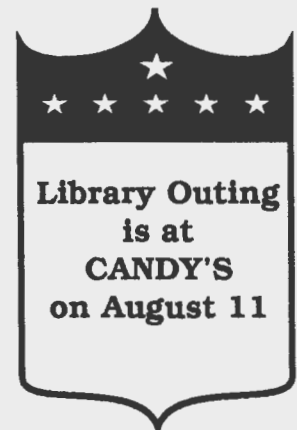
Leader: Greg Pringle  
Tim Baltad  
Phone: 452-7381  
Call for Date and Time.

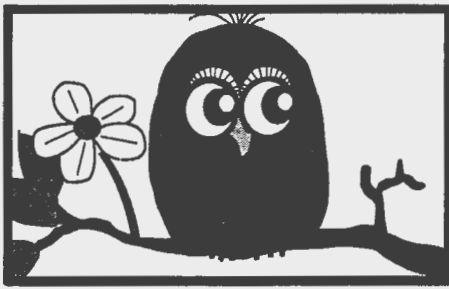
#### **TELECOM SIG**

Leader: Woodie Bear  
Phone: 723-1710

#### **VIDEO SIG**

Leader: John Zacharias  
Phone: 363-9153  
August 8





## The Secretary's Report & Views

### Board of Directors Meeting 6/6/90

The first thing we talked about was the Secretary writing a paragraph or two on what transpired at the Board meetings and General meetings. We discussed Brian resigning the job of Treasurer and Matt said he would take over till we found a replacement. Braden Lee was the first nominated for the position. We have been able to secure June 27th, July 25th and August 22 for the General meetings at Pac Bell. The Video SIG has moved their meeting to the 2nd Wednesday so as to not interfere with the Board meetings. Woodie Bear has sent a letter of resignation of SIG coordinator so we need to find another volunteer. We questioned if Woodie also reassigned from the SIG leader of the Telecom SIG. Matt decided and the Board agreed to start taping the Board Meetings so as to not have any misunderstandings by allowing the Secretary to later listen. Richard Carey was announced once again as the new Editor and Chef of AmigaZette. Richard Carey, Mark Baggs and Robert Du Guae were the editors of the July issue. We discussed not taking care of business on the club BBS as it also led to misunderstandings because it lacked face to face interactions. We discussed maybe a 30 day time limit for filling a voted

position and a 60 day limit for other positions. Matt said he would work up something as a possible rule. We discussed getting a PLink account for the Librarian to download files not found on the Fred Fish or other PD disks and decided to bring it to the members at the general meeting. Peter Lotz was appointed to look into doing a Club Picnic or Potluck. The next Board meeting was set for Willie Hunt's on July 3rd. We talked about having a game contest at a later meeting and maybe getting a \$40 gift certificate as the first place prize. Matt will ask the membership at the General meeting which games they would like to see. Robert A Speers and Walker L. Ayers won six free disks of the months and it was discussed that they haven't received their certificate to show the Librarian yet. Rob Super was given by Robert a free disk for contributing to the newsletter.

### General Meeting Notes 6/27/90

Meeting was started at about 7:15pm and the President announced that the Board wanted to get a vote on if we should look into getting the Librarian an account on PLink. Matt also asked the members present that the Board was planning a tournament and what games they would like to play. Questions and items for sale were announced by various members then we took a short break. After the Break Matt introduced Gregg Garnick, V.P. Sales/Marketing of Great Valley Products, who was stopping by on his way to Chicago to attend the Ami Expo. Gregg had the rest of the night to talk and answer questions as the demos he brought did not work and a call to GVP was no help. The first thing he did was promise to return with a Techie and their own equipment at a later date this fall. After his talk

and questions we announced a special deal for members of SACC that would last till July 10th, and such a deal. GVP would offer the members a 28MHz, 68030/6882, 4Meg 32 Bit Ram for \$1899 and to sweeten the deal they would add a Quantum 40 Meg, 11ms hard disk for free!! SUCH A DEAL!!! Someone ask about a 80 Meg Quantum disk and he said the would offer it for \$200 more. Then Gregg picked the winning tickets for the Club Raffle and the winners were; Ken Barton from DigiView, Dan Peterson-Amiga Hat, Ralph schultz-Amiga Shirt! Congratulations! Then Gregg had everyone fill out a green survey card which was also his own raffle...Robert Moskovitz's name was picked and because on the card he was going to purchase a 3001 Mr. Garnick gave him one without the co-processor chip and memory for free. Congratulations Robert!!!! All three computer stores in the area were represented and a thanks went out to Put's for bringing a Amiga 2000 for the demo. Ron from Computertime gave the club three games for a future raffle. Gregg was given a Newsletter and two disk of the months to bring back to GVP. Gregg said that Sacramento was a vary important marketing area for GVP and offered us support.

See you next issue, Willie Hunt



Data is not information.

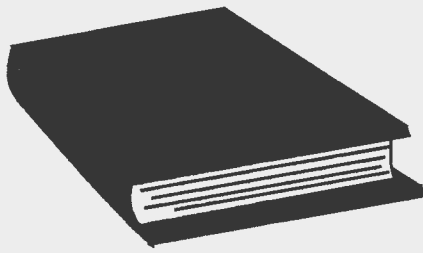
Information is not knowledge.

Knowledge is not wisdom.

Wisdom is not truth.

Truth is not beauty.

by Frank Zappa  
and Mark Hensbegen



## "The Chip" A Review by Daniel Martin

"The Chip" by T.R. Reid, is a fascinating story about the electrical engineers who labored to develop the microchip but also meanders every now and then into little vignettes about some of the "roots" of the chip and computers. One example is the brief glimpse at the life of George Boole, the mid-nineteenth century self-taught Englishman, who, with the equivalent of less than a high school education, would become a Professor of Mathematics at Trinity College in Dublin. Boole's symbolic language, most elegant in its simplicity, would fascinate people for years (including George Bernard Shaw) and would eventually become the basis for the operating logic of computers. But the main story traces the evolution of electric circuitry from vacuum tubes to transistors to chips and talks about how physicists and electrical engineers would fight to defeat the "tyranny of numbers". The ultimate victors would almost simultaneously, but quite independently, come up with the solution, much, I suppose, as Newton and Leibniz arrived at that nightmare called The Calculus. These two men, Jack Kilby of Texas Instruments and Bob Noyce of Intel, would then entangle themselves in a ten year patent struggle which would eventually wind its way to the Supreme Court and would be resolved in a way that really didn't matter. Perhaps the most fascinating aspect of this book is the author's care to explain the different problem-solving methodologies developed and employed by each of the players in the drama to create the Chip.

And so we see how Kilby always looked for the "non-obvious solution" and how the infamous William (Dysgenics) Shockley constantly exhorted his staff and associates to "try simplest cases". The creative minds of Kilby and Noyce would lead both of them to "The Monolithic Idea" which is the logic base of the Microchip. The author also provides quite simple and understandable unravelings of the key concepts involved in the foundation of the chip's creation and devotes a chapter to the design and functioning of a fictitious four function calculator. Therein he pulls together many of the threads of circuit design and explains in what ways a simple hand-held calculator and a computer are similar.



## FROM THE EDITOR'S FILE

Taking on the responsibility of the editorship of a newsletter such as the Amigazette is somewhat equivalent to adding another wife. It has its moments but the commitment will wear you out. I hope that you will bear with us as we become more accustomed to the demands of my new second wife.

It is hoped that you the reader will participate in the newsletter by sending in reviews of both software and hardware. Boos of the Month, letters to the editor, and any other item that you feel we may all benefit from reading. You can be our first "pin-up" if you are daring enough to digitize a photo of yourself to grace the page opposite the calendar next month. (please note: we will accept photos of either sex so as not to appear to be discriminating.)

Let us know how you like the newsletter either on the AmigaLink BBS or drop us a note with your suggestions. It is YOUR paper after all. Thanks, Richard Carey, Editor

## Library News by Ken Barton

A lot of new stuff has been added to the library since the last library update. First of all, I have updated the vclub catalog disk. When Fred Fish disk #301 showed up with a program called Aquarium, a database with all the Fish disk listed and a way to add new disks as they came in, I thought WOW!, maybe we can put the club disks in the Aquarium format. Lo and behold it has been done and you can pick it up at the next library outing or at the club meeting. the club catalog disk now contains 4 aquariums. Fred Fish, Dis of the Month, club library and other stuff. The disk also contains an unzipper program which should please our editor (see Boo of the Month).

The Fred Fish library is now up to disk #350 and maybe more will come in before the next meeting. See "Amazing Computing" or the club catalog for descriptions of the disk contents.

We have added 8 new club lib disks including one with the new Star Trek game from Germany that will be demonstrated at the July meeting. It is a two disk set numbers 255 and 256. Also disks 251 and 252 contain the enhancement on Mike Groshart's routine for displaying the CIA database of the geography of the world. Disk #253 is full of communication programs for you phone phreaks.

We have a bunch of new Tea Bag disks beginning with disk #35 and going to #43. You left handers might be interested in Tea Bag #35. It swaps the functions of the left and right buttons on your mouse then your left index finger can be used for selection and your left middle finger will select menus, just like your right-handed friends! Space will not permit a listing of all the great programs on these disks but check them out at the meeting.

We maintain an extensive collection of diskettes for your edification and enjoyment. If you are looking for a particular program or type of program please ask. We may be able to find something in our public domain collection that will do the job for you and save your valuable dollars for the raffle.



**AMIGAZette** was published using an **AMIGA 2500** and **Professional Page**. **AMIGA** is a registered trademark of

Commodore-AMIGA, Inc. **Professional Page**, is a registered trademark of Gold Disk, Inc. **Sacramento Amiga Computer Club**, SACC, the SACC logo, and **AMIGAZette** are registered trademarks of the **Sacramento Amiga Computer Club**. All contents of this newsletter, except for the articles used by permission, are (C) 1990 by the **Sacramento Amiga Computer Club**. The articles, drawings, and other material which are submitted and printed in the **AMIGAZette** are the views of the contributor, and not necessarily the views of SACC or the **AMIGAZette** staff. All rights reserved.

The staff of **AMIGAZette** and the officers and Board of Directors of the **Sacramento Amiga Computer Club** do not advocate or encourage the use of any product or service advertised herein for illegal purposes. **AMIGAZette** and SACC assume no liability, implied or otherwise, for the use of any product, service or article contained herein for any purpose whatsoever. The readers of **AMIGAZette** hereby agree to use all said products, services and article suggestions at their own risk, with no liabilities to be assumed by **AMIGAZette** or SACC in any way, shape or form.

Camera ready art done on an AST TurboLaser/PS and HP Deskjet Plus. Printing and binding by LithoCom. Mailing by Cleveland Mailing.

Permission is hereby granted to reproduce any text contained in this publication for non-commercial purposes, under the following conditions. An article must be reproduced in its entirety, with full credit given to author and to the **AMIGAZette**(SACC) as source. All other changes must be approved in writing, in advance, by the author or SACC.

**Deadlines**

All commercial ads and user articles can be uploaded to SACC BBS at 447-3842

or 991-8553. The deadline for articles and space reservations for the August edition of **AMIGAZette** is August 5th.



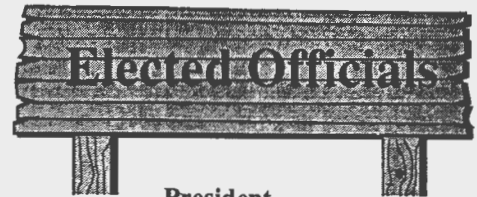
**Commercial Ad Sizes/Prices**

1/4 Page	3.5"x 5"	\$15.00
1/2 Vertical	3.5"x 10"	\$25.00
1/2 Horizontal	7.5"x 5"	\$25.00
Full Page	7.5"x 10"	\$45.00
Back Page	7.5"x 8"	\$45.00

If you have any questions about placing an ad, please call the Editor. Full payment should accompany your order made payable to SACC. Unless otherwise arranged, your ad and payment should be sent to:

**AMIGAZette Editor**  
**Sacramento Amiga Computer Club**  
 P.O. Box 19784  
 Sacramento, Ca 95819-0784

This newsletter is printed as a service to members of the Sacramento Amiga Computer Club and is paid for using the dues of each member. Several stores are given copies of the **AMIGAZette** to be given to prospective and new Amiga owners in hopes of enlisting a new member to SACC. In addition SACC is now selling a combination pack of the club's Disk-of-the-month and this newsletter for non-members that may be interested in the club.



**President**

Mathew Monsoor 983-6054

**Vice President**

Pete Howard 920-4289

**Secretary**

Willie Hunt 925-6663

**Treasurer**

Vacant

**Board of Directors**

Robert Du Gaue 383-7966

Rudi Cilibrasi 944-4570

Fred Sakai 488-4343

Dave Bandimere 292-3769

Linda Marquess 991-0415

**Appointed Chairpersons**

**AMIGAZette Editor**

Ricahard Carey 632-1018

**SIG Coordinator**

Woodie Bear 723-1710

**Asst. SIG Coord.**

Vacant

**Librarian**

Ken Barton 344-6993

**Advertising Coord.**

Vacant

**New Member Coord.**

Vacant

# Amigazette Contributors



**Editor**

Richard Carey.

**Assistant Editor**

Mark Baggs

**Photographer**

Fred Sakai

**Advertising:**

vacant

**ArtWork**

Eclips by Aloha

Clip Art by Gold Disk

**Contributing Writers:**

Robert Du Gaue

David Schwartz

Dave Leach

Daniel Martin

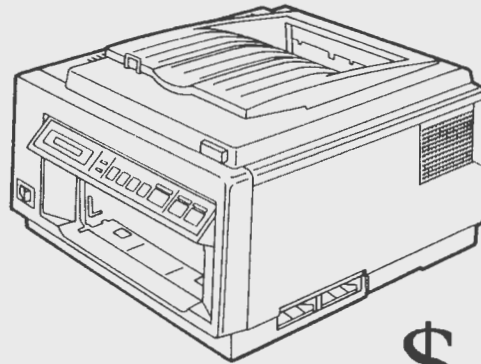
Woodie Bear

And Several Amigalink Users!

**NEW!**

# PANASONIC

KX-P4420 LASER PRINTER



- 8 PPM
- 300 X 300 dpi
- HP laserjet

**1.5 Megabytes of Memory!**

**\$ 1395<sup>00</sup>**

## AMIGA 3000

Amiga 3000/25-40 Package \$3895<sup>00</sup>

Amiga 3000/25-100 Package \$4195<sup>00</sup>

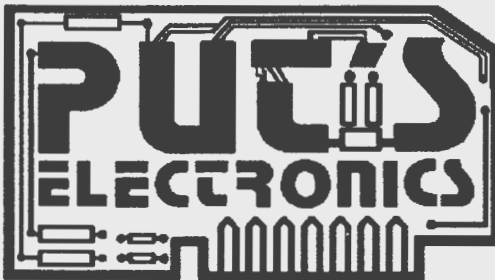
## •CLASSES•

**Beginners:** Tuesday 6:30 - 8:30  
**Pagestream:** Wednesday 6:30 - 8:30

*Also available:*

**WordProcessing:** PenPal  
WordPerfect

Commodore/Amiga Computers



6108 WATT AVE. North Highlands, CA 95660

**338-2000**

## Hewlett Packard DaintJet

Full color  
180 dpi

**\$ 1095<sup>00</sup>**

SACC  
P.O. Box 19784  
Sacramento, CA 95819-0784



Bulk Rate  
U.S. Postage  
**PAID**  
Sacramento, Ca  
Permit No. 1884

Jim Zacharias  
10004 Mangrove Drive  
Carmichael, CA 95827